

# Ultrathin LED Screen Lift

Model No: PLM-UL15, PLM-UL17, PLM-UL19, PLM-UL22

## Built in with high quality LED screen



### Features

- ultrathin lift is the upgraded version of Lyn monitor lift.
- All Models are CE certified.
- each lift comes with high quality LED screen, ultra thin to 80cm only.
- top plate is made of brush aluminum in silver and black.
- 15° backward tilt of screen to make users watching more comfortably.
- Separate USB connector with smart designed cover on top plate for 3rd device to connect.
- Separate power button on top plate for easy ON/OFF of computer.
- Automatic opening & closure of decor plate.
- Monitor power on/off automatically.
- With RF wireless remote controller and manual control board on the top plate.
- One remote controller can control all lifts within 30 meters.
- With important design of hand clamping prevention to make sure of safety use.
- Compatible with most integrated control systems like AMX, crestron, creator, etc.
- Communication via RS485/232 protocol.

Optimized for the most versatile users and viewing experience.

Easy to install and easy to use with separate USB connector, and compatible with most of the control systems.



APPROVED

# Ultrathin LED Screen Lift

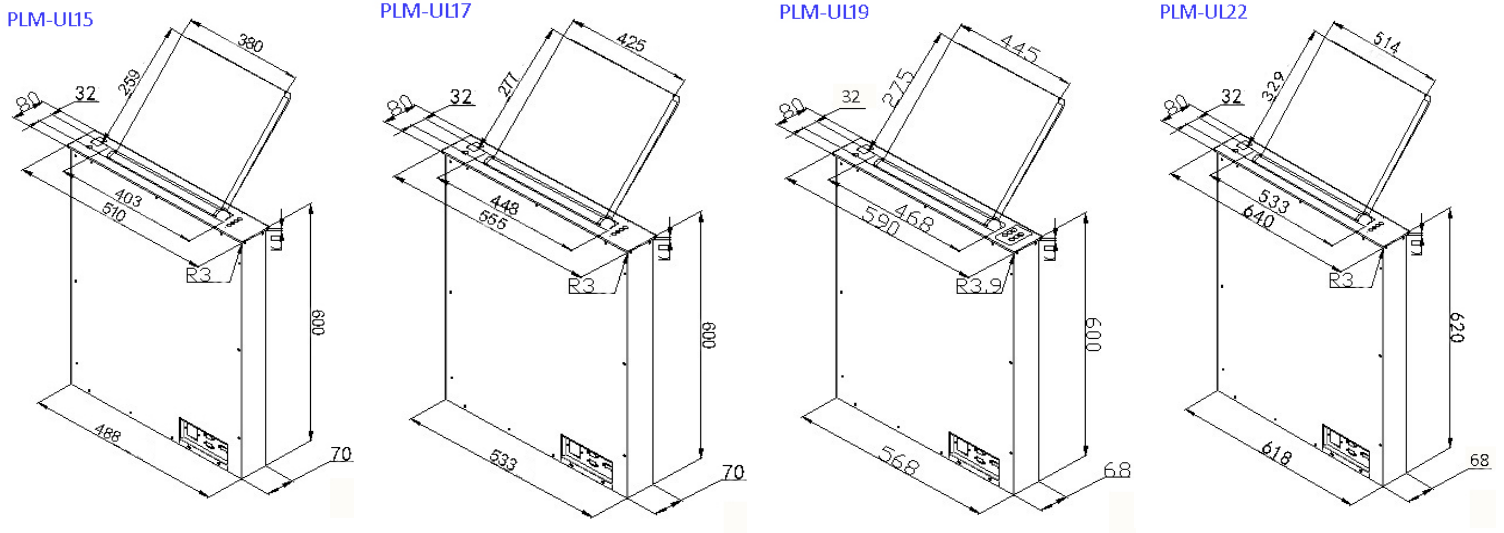
Model No: PLM-UL15, PLM-UL17, PLM-UL19, PLM-UL22

## Technical Specifications

<b>LED Screen size</b>	15.6 / 17.3 / 18.4 / 21.5 inches
<b>Format</b>	16:9
<b>Resolution Ratio</b>	1920 x 1080
<b>Power Input</b>	220 ~240V/50Hz
Signal Input	HDMI
Thickness of Top Plate	5mm
Depth of Top Plate	80mm
Adjustable Viewing Angle	15 degree
Gross Weight	16.5 / 19 / 22.5 / 24.5 KGs

## Technical Drawings

Unit: mm



# Ultrathin LED Screen Lift

Model No: PLM-UL15, PLM-UL17, PLM-UL19, PLM-UL22

## More images:

Buttons



Close



USB Port

